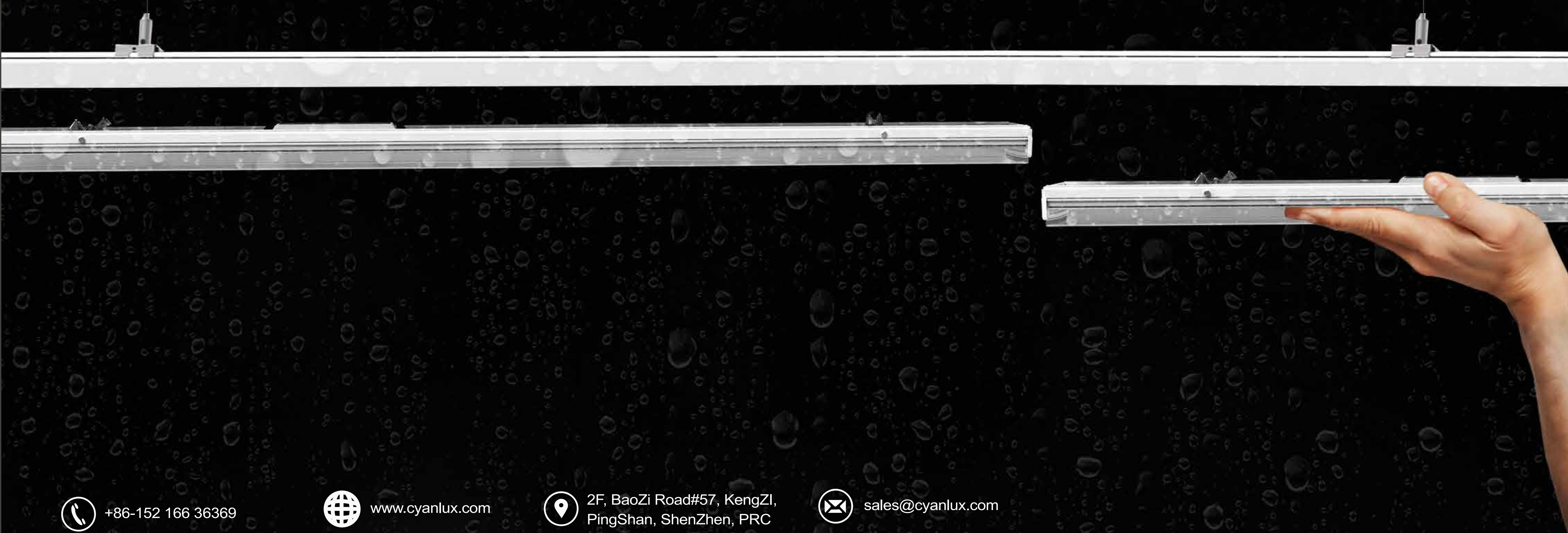




LED Linear Trunking System

N Line IP54



CONTENT

Applications

- 002-003 Industry
- 004-005 Car Washing

Product detail

- 006 Explosion Drawing
- 007-012 LED module
- 013-015 Trunking
- 016-017 Accessory

IP54 Weatherproof LED linear trunking system can stand firm under such harsh environments as food industry, car washing rooms, industry and other places where have special requirements for the protection of luminaires.

Industry

Warehouse - Switzerland

N-Line IP54 Linear Trunking System grants users high performance lighting. Sets of ten 60W luminaires were installed in order to obtain 90,000 lumens per set of units and thus had an illumination akin to sunlight. Furthermore, the luminaires with microwave sensors installed in needed areas can maximize energy saving, reducing unnecessary lighting waste.

In this case, the luminaire is 8.0 meters away from the ground, using a 60W 90 degree lens.

Project Request



Quantity	Cyanlux Code	Description
200	RE-TKA9-05W-00	N-Line 2876mm trunking 7 x 2.5 mm ² , white
156	RE-RIP5S3-60P1SP-S1-00	N-Line LED Module 35°, 32-60W, 9,000 lm, 5,000 K, non-dimmable, White
300	RE-SMK	Steel suspension



Car washing

Car Washing Room-Germany

Over time, this car washing room with old light tubes was deficient in light. Moreover, the longevity of the old lighting fixtures were cut because of prolonged exposure to humid condition. Customer used Cyanlux N-Line IP54 Linear Trunking System to replace old fixtures, giving the car washing room a brighter lighting. Other than that, with waterproof feature, this luminaire is serviceable for more than 5 years.

Project Request

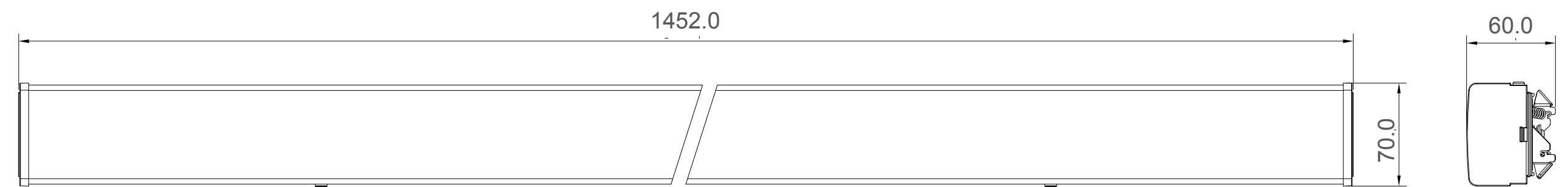
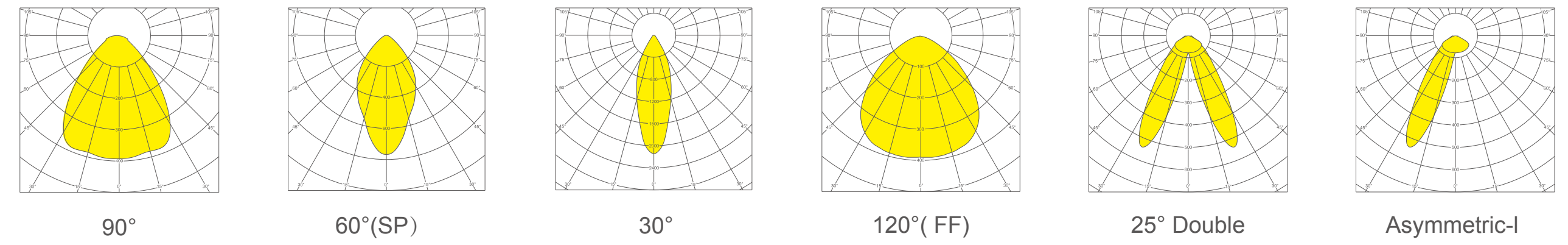
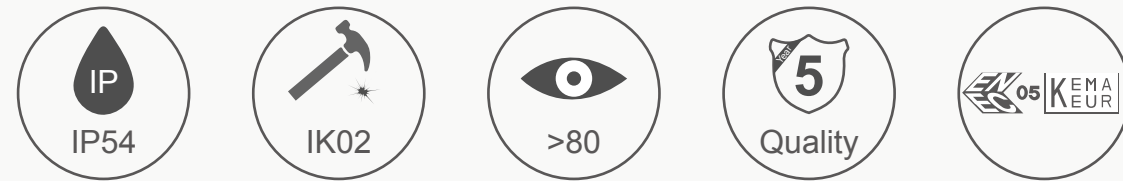


Quantity	Cyanlux Code	Description
200	RE-TKA9-05W-00	N-Line 2876mm trunking 7 x 2.5 mm ² ,white
156	RE-RIP5S3-60P1SP-S1-00	N-Line LED Module 35°,32-60W, 9,000 lm, 5,000 K, non-dimmable, White
244	RE-15-AL-01	ALuminum Blind COVER
300	RE-SMK	Steel suspension





Wide distribution

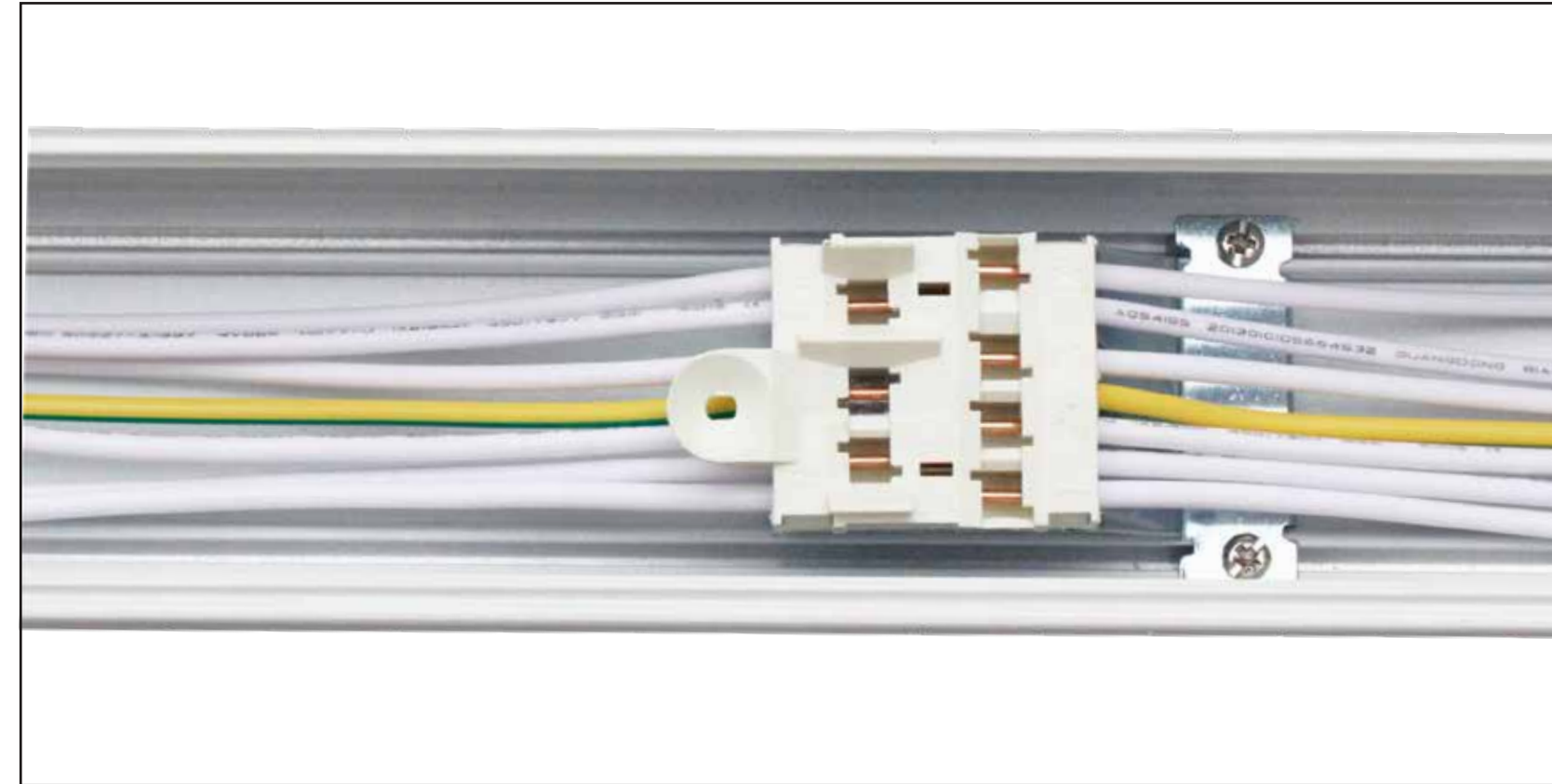


Datasheet

TYPE	POWER _(w)	LUMEN (LM)	EFFICACY (LM/W)	CCT (K)	CRI (RA)	Driver (Brand)	Voltage (v)	Function	Dimensions (mm)	WEIGHT (kg)
RIP5S3-60W2WD-S1	60W adjust 50W 42W 32W by switch	Max 7800	130	3000K	>80	OSRAM	AC 220-240V	Non-Dimmable	1438 x 65 x 27	1.65
RIP5S3-60N1WD-S1	60W adjust 50W 42W 32W by switch	Max 9000	160	4000K	>80	OSRAM	AC 220-240V	Non-Dimmable	1438 x 65 x 27	1.65
RIP5S3-60P1WD-S1	60W adjust 50W 42W 32W by switch	Max 9000	160	5000K	>80	OSRAM	AC 220-240V	Non-Dimmable	1438 x 65 x 27	1.65
RIP5S3-60C1WD-S1	60W adjust 50W 42W 32W by switch	Max 9000	160	6000K	>80	OSRAM	AC 220-240V	Non-Dimmable	1438 x 65 x 27	1.65
RIP5S3-60W2WD-T1	60W adjust 55W 45W 42W by resistor	Max 7800	130	3000K	>80	Tridonic	AC 220-240V	Non-Dimmable	1438 x 65 x 27	1.7
RIP5S3-60N1WD-T1	60W adjust 55W 45W 42W by resistor	Max 9000	160	4000K	>80	Tridonic	AC 220-240V	Non-Dimmable	1438 x 65 x 27	1.7
RIP5S3-60P1WD-T1	60W adjust 55W 45W 42W by resistor	Max 9000	160	5000K	>80	Tridonic	AC 220-240V	Non-Dimmable	1438 x 65 x 27	1.7
RIP5S3-60C1WD-T1	60W adjust 55W 45W 42W by resistor	Max 9000	160	6000K	>80	Tridonic	AC 220-240V	Non-Dimmable	1438 x 65 x 27	1.7
RIP5P3-68W2WD-T1	16W to 68W by resistor	Max 9400	140	3000K	>80	Tridonic	AC 220-240V	Non-Dimmable	1438 x 65 x 27	1.9
RIP5P3-68N1WD-T1	16W to 68W by resistor	Max 12,000	180	4000K	>80	Tridonic	AC 220-240V	Non-Dimmable	1438 x 65 x 27	1.9
RIP5P3-68P1WD-T1	16W to 68W by resistor	Max 12,000	180	5000K	>80	Tridonic	AC 220-240V	Non-Dimmable	1438 x 65 x 27	1.9
RIP5P3-68C1WD-T1	16W to 68W by resistor	Max 12,000	180	6000K	>80	Tridonic	AC 220-240V	Non-Dimmable	1438 x 65 x 27	1.9
RIP5S5-72W2WD-A3	72W adjust 68W 64W 60W by switch	Max 8200	120	3000K	>80	AGT	AC 220-240V	1-10V	1438 x 65 x 27	2.1
RIP5S5-72N1WD-A3	72W adjust 68W 64W 60W by switch	Max 9600	140	4000K	>80	AGT	AC 220-240V	1-10V	1438 x 65 x 27	2.1
RIP5S5-72P1WD-A3	72W adjust 68W 64W 60W by switch	Max 9600	140	5000K	>80	AGT	AC 220-240V	1-10V	1438 x 65 x 27	2.1
RIP5S5-72C1WD-A3	72W adjust 68W 64W 60W by switch	Max 9600	140	6000K	>80	AGT	AC 220-240V	1-10V	1438 x 65 x 27	2.1
RIP5S3-68W2WD-T4	16W to 68W by resistor	Max 8800	130	3000K	>80	Tridonic	AC 220-240V	DALI	1438 x 65 x 27	2.1
RIP5S3-68N1WD-T4	16W to 68W by resistor	Max 10,200	160	4000K	>80	Tridonic	AC 220-240V	DALI	1438 x 65 x 27	2.1
RIP5S3-68P1WD-T4	16W to 68W by resistor	Max 10,200	160	5000K	>80	Tridonic	AC 220-240V	DALI	1438 x 65 x 27	2.1
RIP5S3-68C1WD-T4	16W to 68W by resistor	Max 10,200	160	6000K	>80	Tridonic	AC 220-240V	DALI	1438 x 65 x 27	2.1



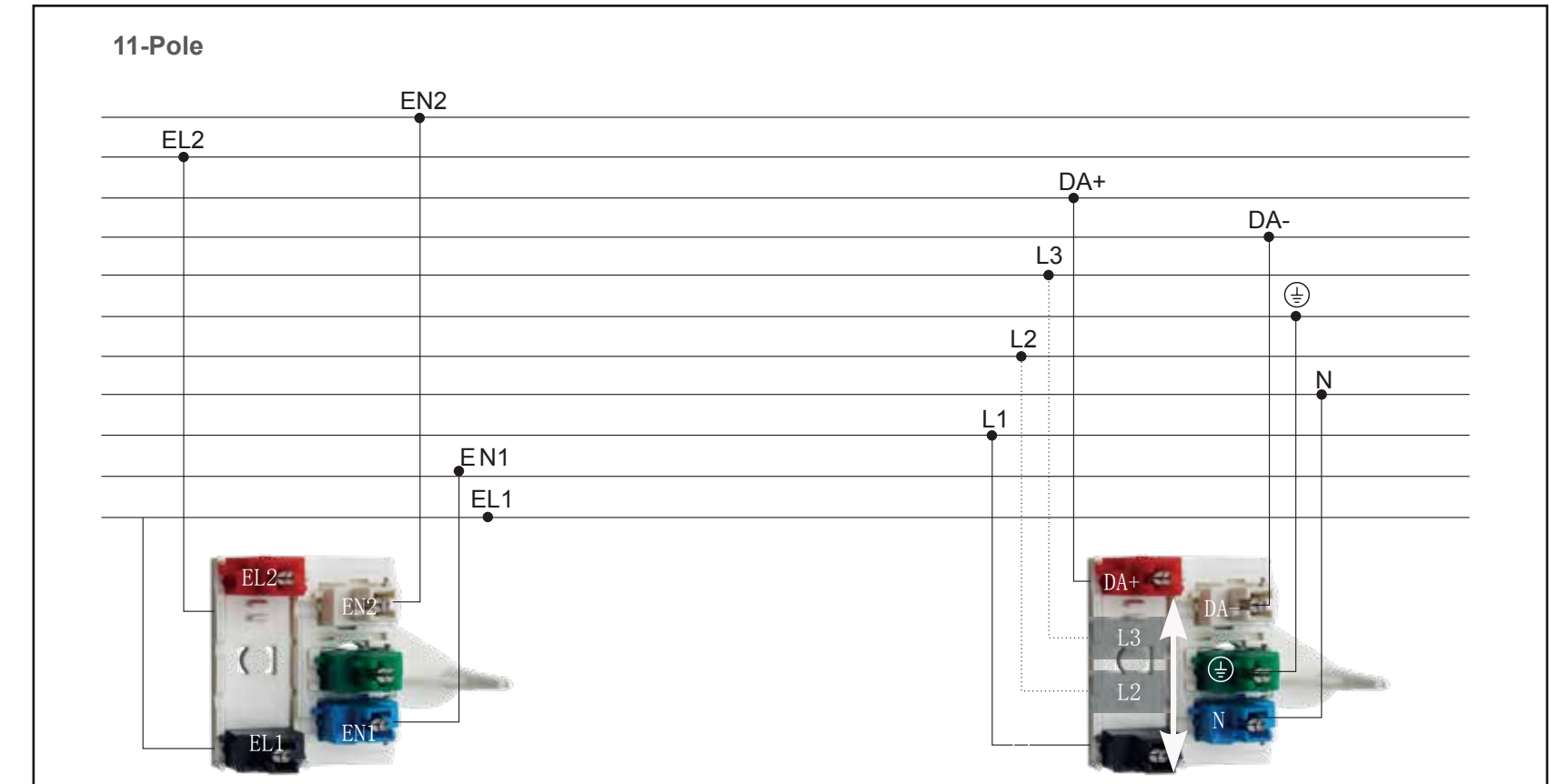
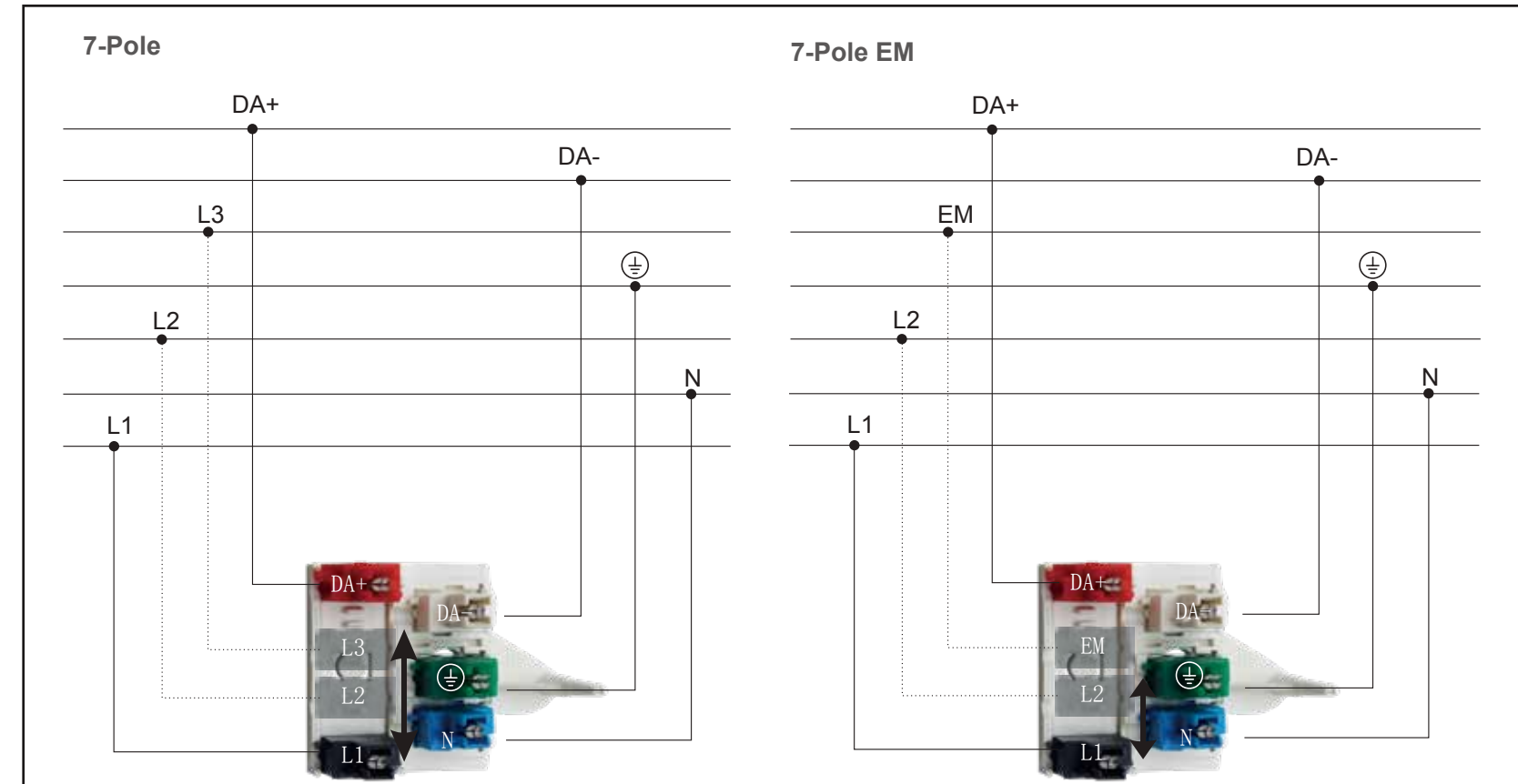
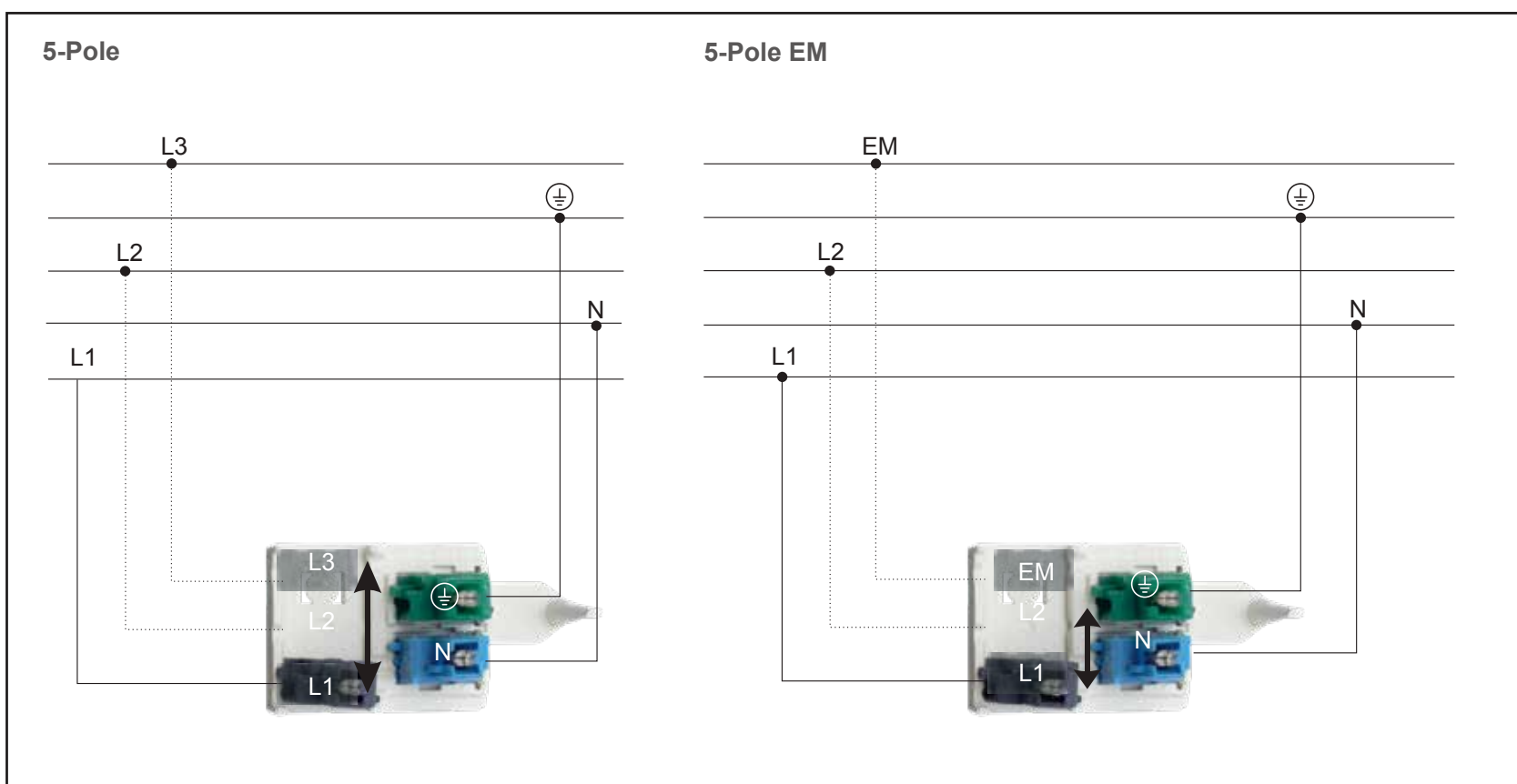
5-Pole



7-Pole



11-Pole



Tool-free installation



Connector for quick connection between Trunking rail and led module



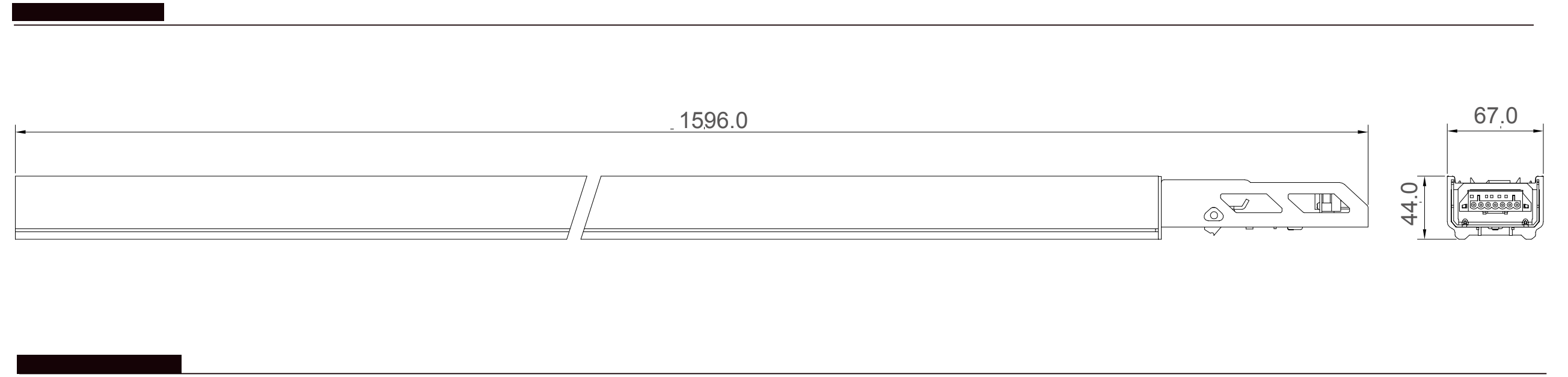
Product detail

Trunking



Wide distribution

-
-
- >80 icon"/>
-
-
-
-



Datasheet

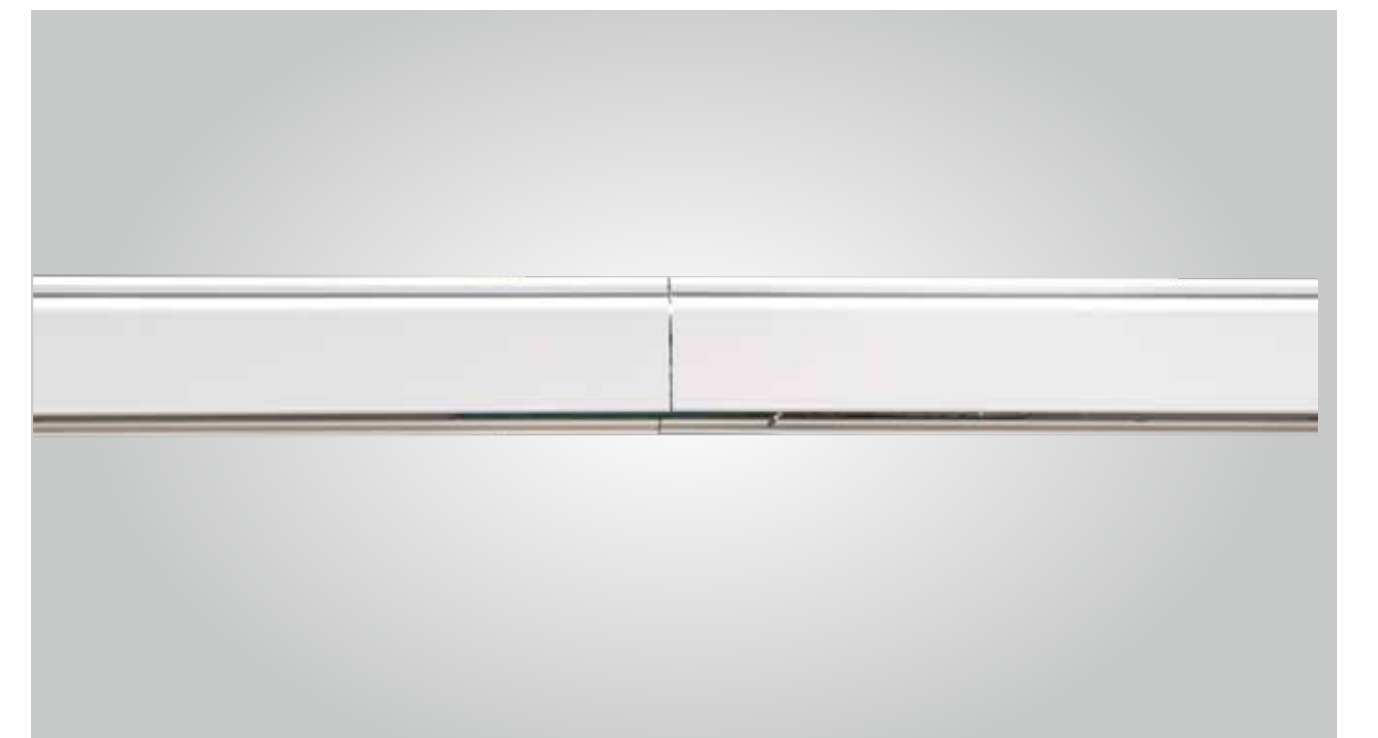
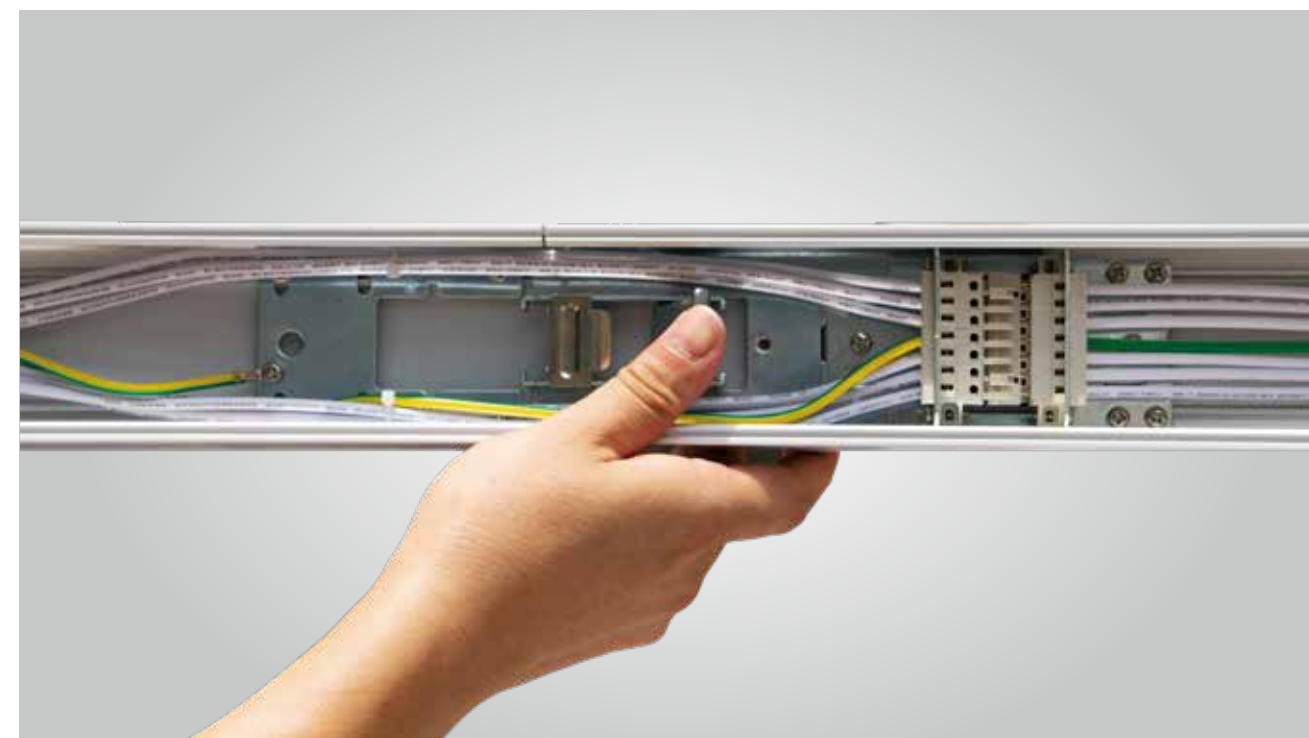
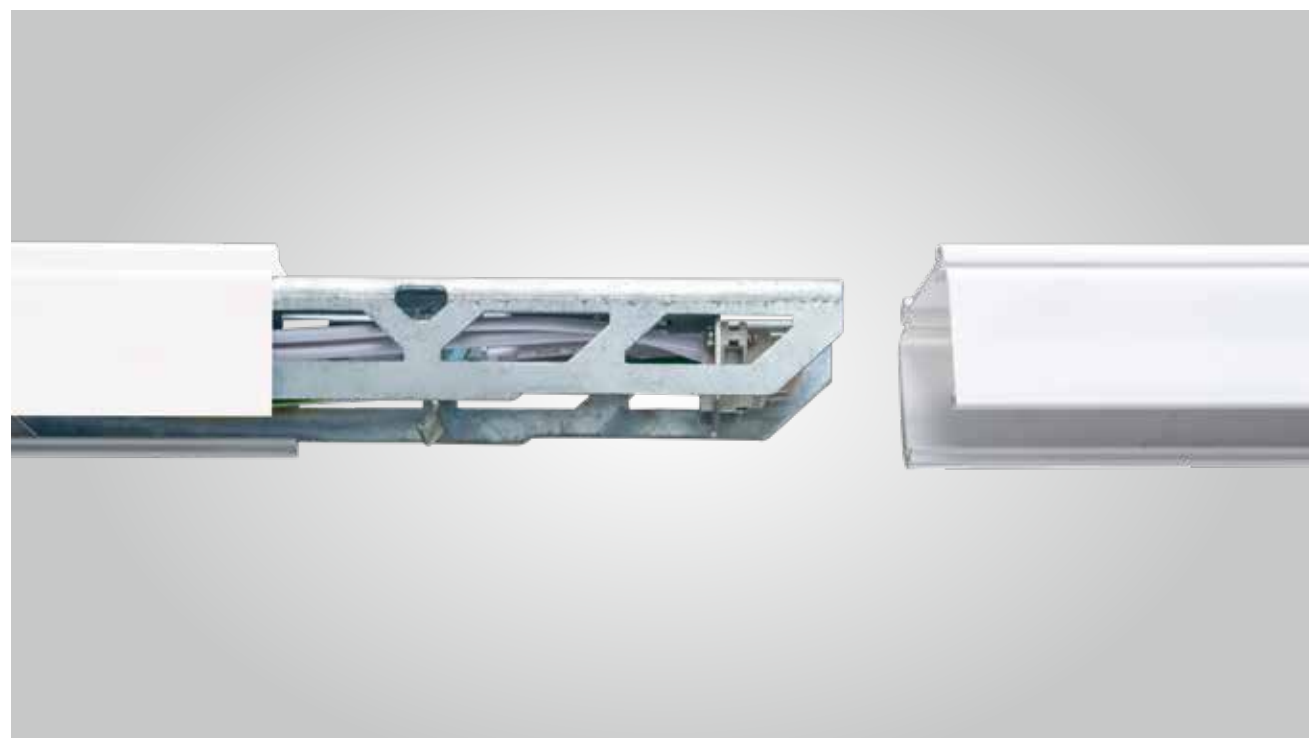
White:

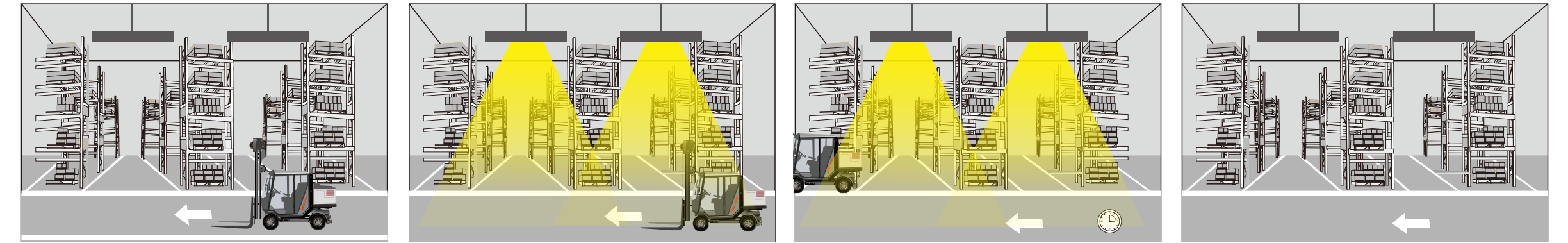
TYPE	WIRES (m)	Dimensions (mm)	WEIGHT (kg)
TKA2-05W-00	5 x2.5 mm ²	578x 65 x 65	0.85
TKA2-07W-00	7 x2.5 mm ²	578x 65 x 65	0.95
TKA5-05W-00	5 x2.5 mm ²	1438x 65 x 65	1.59
TKA5-07W-00	7 x2.5 mm ²	1438x 65 x 65	1.65
TKA5-11W-00	11 x2.5 mm ²	1438x 65 x 65	1.95
TKA9-05W-00	5 x2.5 mm ²	2876x 65 x 65	2.85
TKA9-07W-00	7 x2.5 mm ²	2876x 65 x 65	2.98
TKA9-11W-00	11 x2.5 mm ²	1438x 65 x 65	3.25

Black:

TYPE	WIRES (m)	Dimensions (mm)	WEIGHT (kg)
TKA2-05B-00	5 x2.5 mm ²	578x 65 x 65	0.85
TKA2-07B-00	7 x2.5 mm ²	578x 65 x 65	0.95
TKA5-05B-00	5 x2.5 mm ²	1438x 65 x 65	1.59
TKA5-07B-00	7 x2.5 mm ²	1438x 65 x 65	1.65
TKA5-11B-00	11 x2.5 mm ²	1438x 65 x 65	1.95
TKA9-05B-00	5 x2.5 mm ²	2876x 65 x 65	2.85
TKA9-07B-00	7 x2.5 mm ²	2876x 65 x 65	2.98
TKA9-11B-00	11 x2.5 mm ²	1438x 65 x 65	3.25

Installation

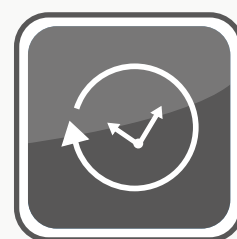




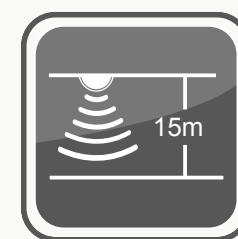
Type	Description	Length	Weight
RE-SENSOR-00	Merrytek, 1-10V Microwave Sensor suitable for ceiling heights from 3 to 15 m	1438mm	1.05kg
RE-SENSOR-03	Merrytek, 1-10V Microwave Sensor suitable for ceiling heights from 3 to 15 m	578mm	0.5kg



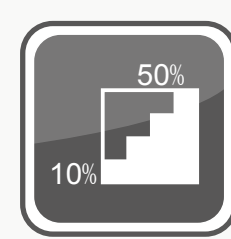
Max.8M



Hold Time
5s~30min



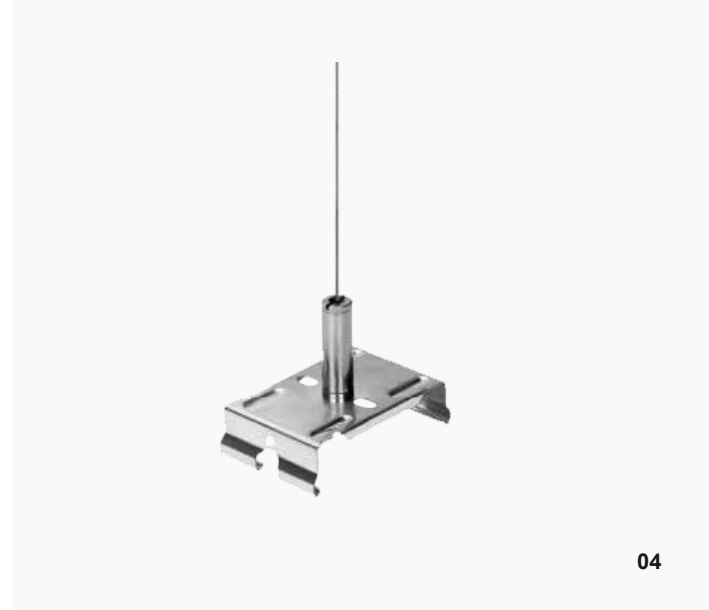
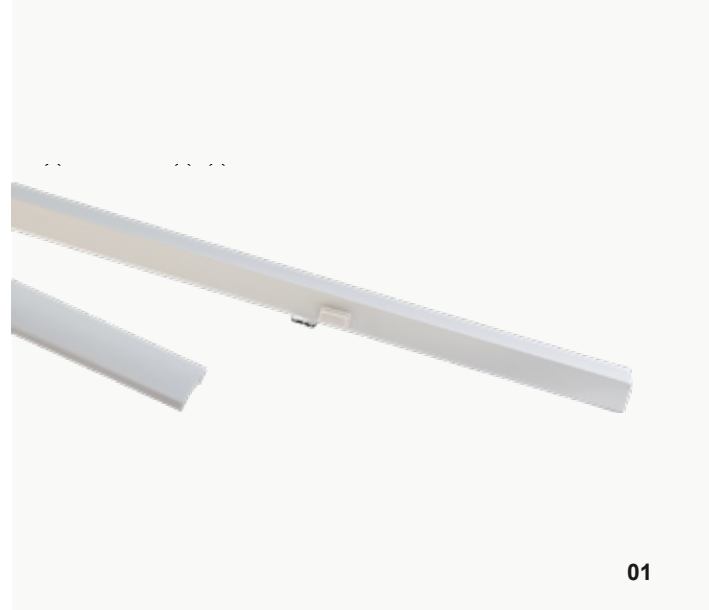
Mounting Height
15m Max.



Automatic
Dimming



5
Years
Guarantee



Other accessories and fixing components

Serial number	Type	Description	Weight (kg)
01	RE-15-AL	1438mm Aluminum blind cover	0.875
02	TNC-B1-07W-00	Surface Mounted Kits Suspension Kits	0.014
03	TNC-B1-05B-00	Chain suspension kits without chain	0.03
04	TNC-B1-07B-00	Steel suspension kits	0.55
05	TNC-L1-07W-00	Chain suspension kits	0.193